

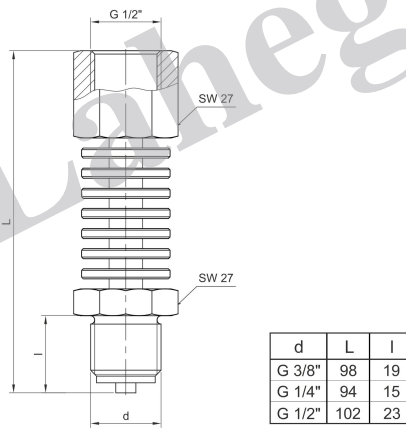
**CONSTRUCTIVE PROPERTIES**

|                                  | STANDARD                           | OPTIONAL                   |
|----------------------------------|------------------------------------|----------------------------|
| Mounting Type                    | Vertical                           | -                          |
| Material                         | Stainless Steel AISI-316L          | Monel 400   Hastelloy C276 |
| Connection                       | G 1/2" B                           | 1/2" NPT                   |
| Operating Pressure & Temperature | 60 bar - 400 °C   100 bar - 120 °C |                            |

**USAGE PROPERTIES**



**1051 04**



Model No: 1051 04

Bottom Connection